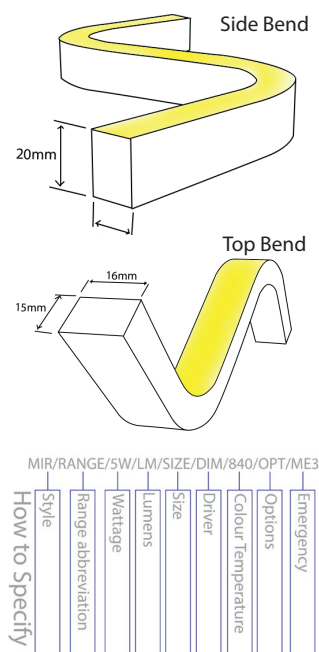




With its sleek appearance, the Flex LED is design to show case and indoor or outdoor space. Furthermore, having highly efficient production capacity and environmentally friendly characteristics.

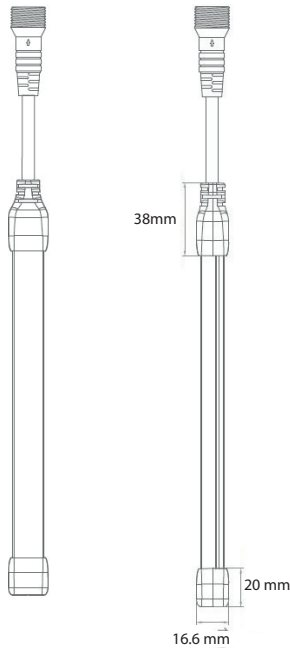
- Luminaire up to 20 meters run length
- Colour Temperatures: 2700k - 3000k - 4000k
More Colour Temperatures available upon request
- Beam angle: 120 degrees (/120D)
- Available with Dimming (/STD/DALI)
- RGB available upon request (/RGB)
- Mountings: Surface mounting or Recessed (/SM/R)
- IP Rating: See on page 82
- Top and side bend available
- Dimensions: (Width x Height)
/Top Bend - 16 x 12mm
/Side Bend - 8.8 x 16.5mm
- Cutable Lengths: Ranges between 50 to 200mm

| Product | MI/FLEXLED LED Tape | | | | | |
|---|-------------------------|------------------|-------------------|---------------------------|------------------|-------------------|
| Light Source | LED | | | | | |
| System Power Luminaire lumens (4000K) | /4W-M 180lm/M | /9W-M 400lm/M | /14W-M 600lm/M | /4W-M 110lm/M | /9W-M 250lm/M | /14W-M 350lm/M |
| Bend | /TB Top-Bend | | | /SB Side-Bend | | |
| Size | 16mm x 12mm (W x H) | | | 8.8mm x 16.5mm (W x H) | | |
| Driver | /STD Non Dimming | | | /DALI DALI Dimming | | |
| Colour Temperature | 2700k | 3000k | | 4000k | | |
| Mounting | /SM Surface Mounting | | | /R Recessed | | |
| Emergency | n/a | | | | | |
| To Specify: Flex Led, Side Bend 4W-M, 4000k, 180lm/M, Surface Mount, supplied with DALI control gear. Part code: MI/FLEXLED/SB/4W-M/180lm/DALI/840 | | | | | | |

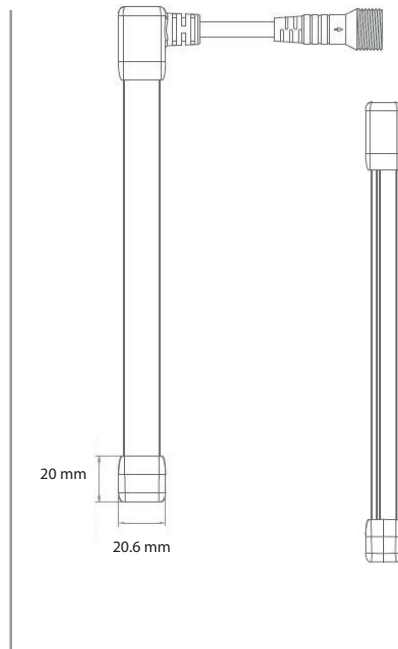


TOP BEND - DIAGRAM

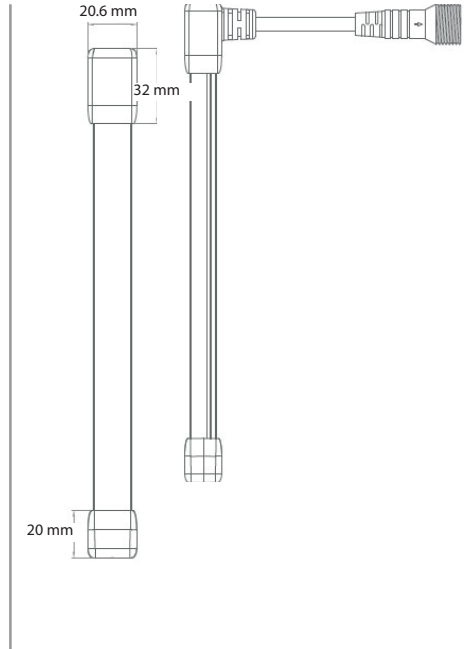
Power End Feed



Power Side Feed

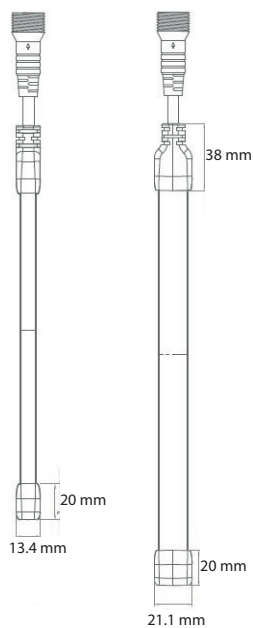


Power Rear Feed

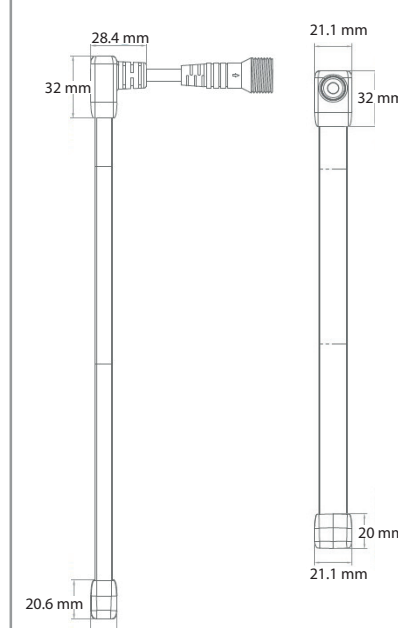


SIDE BEND - DIAGRAM

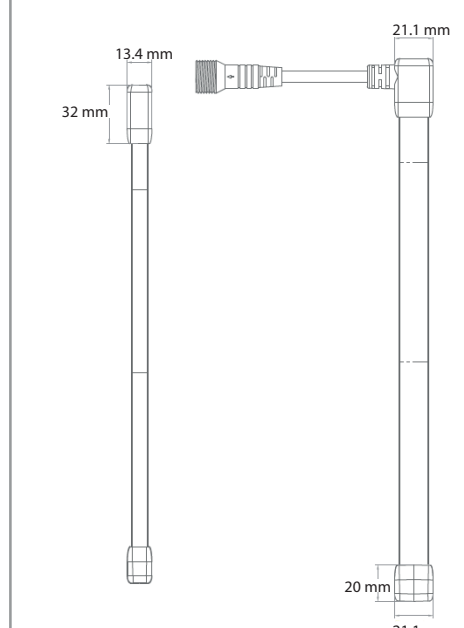
Power End Feed



Power Side Feed



Power Rear Feed



FLEX LED IP RATINGS

IP20

DV L.V. Series



- Non-Waterproof

IP54

DV L.V. Series



- Silicon Spraying Process
- Anti Splash Water
- Tiny Size Change

IP54

DV L.V. Series



- Silicon Dripping Process
- Anti Splash Water
- Tiny Colour Changed

IP65

DV L.V. Series



- Silicon Tube Process
- Anti Spray Water
- Tiny Colour Shift

IP67

DV L.V. Series



- Silicon Pouring Process
- Immerse In Water For Short Time

IP68

DV L.V. Series



- Silicon Injecting Process
- Immerse In Water For Long Time